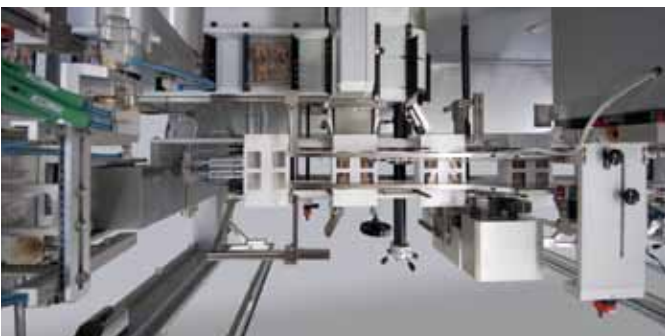


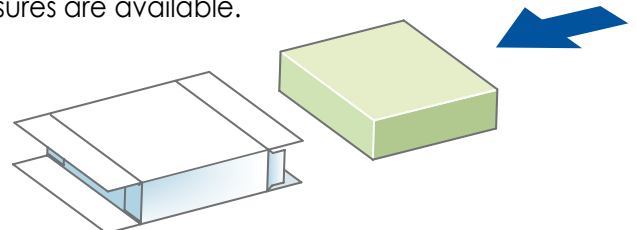
C225

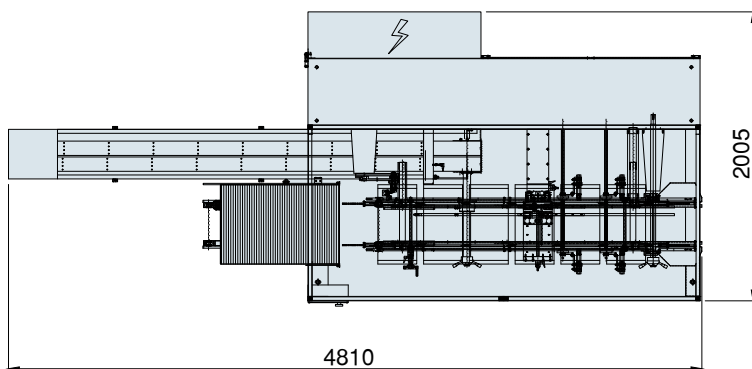
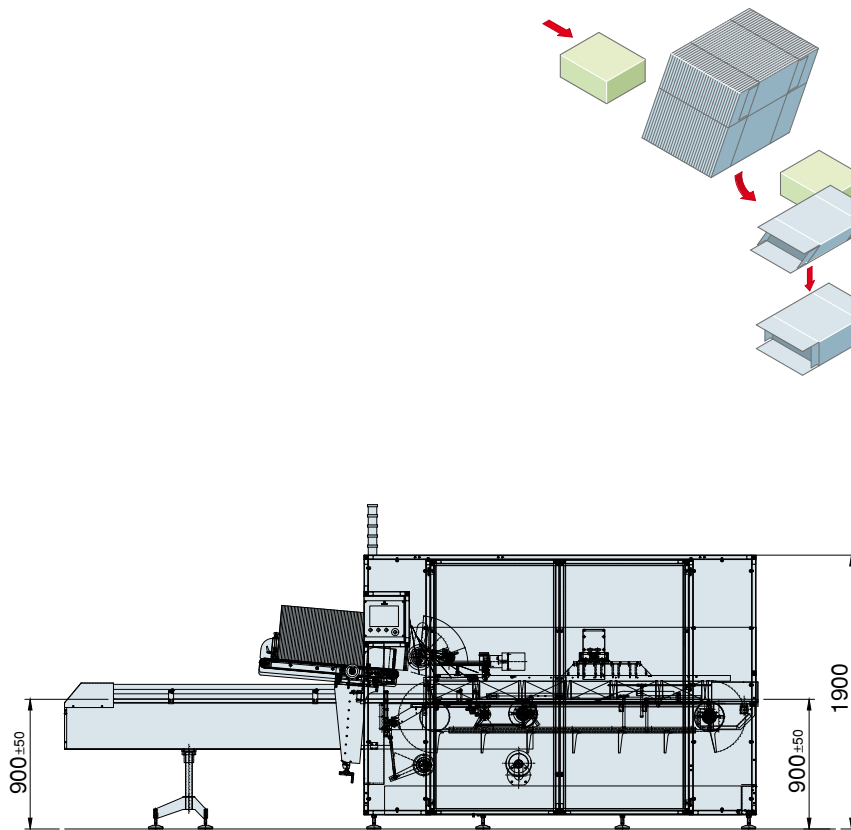
Horizontal Cartoning Machine



The **C225** is a side-load, intermittent motion cartoning machine suitable for manual or automatic packaging of pharmaceutical, nutraceutical, cosmetic and food products into pre-glued cartons. Suitable for large formats, it features a balcony-style design for easy cleaning and maintenance, a neat separation between electrical and mechanical sections. Positive carton pick-up and forming, controlled transportation based on an adjustable belt system, and coated guides to eliminate marking on components allow smooth operation and materials handling.

Tuck-in, hot melt or a combination of tuck-in and hot melt (tamper evident) flap closures are available.

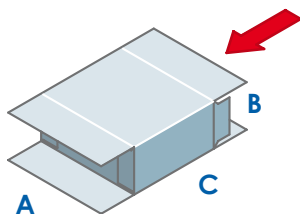




The machine can arrange:

- Extended carton magazines
- Mechanical and robotic feeding systems for blister packs, round/shaped glass or plastic bottles, jars, soft tubes, flow-pack, sachets, stick-packs, others;
- Pre-folded leaflets and booklet dispensers;
- Leaflet folding units (GUK);
- Barcode reading systems;
- Ink/emboss coding units, inkjet, thermal transfer or laser printers;
- Serialization-ready external modules;
- Remote connectivity.

Technical Data



	A (mm)	B (mm)	C (mm)
C225	55 ÷ 270	15 ÷ 125	90 ÷ 300

	C225
Mechanical output	60 carton/min
Power supply	230÷400V - 50Hz
Installed power	
Hot melt closure	8 kW
Tuck-in closure	3 kW
Max. air consumption	200 NI/min
Changeover time	15 min
Approx. weight	1,900 kg