

# C404

Forming Machine

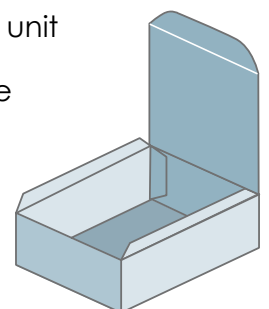


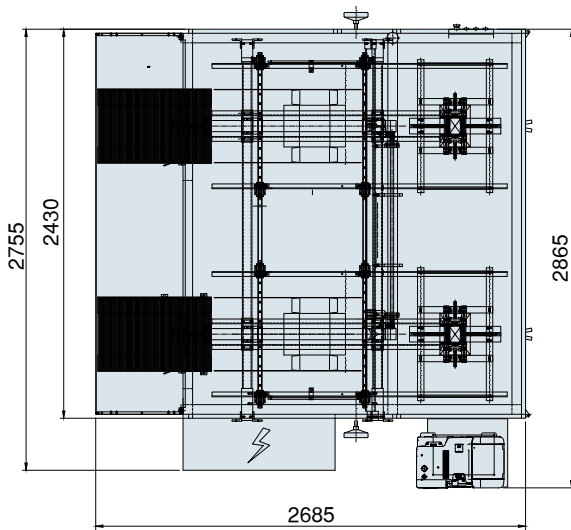
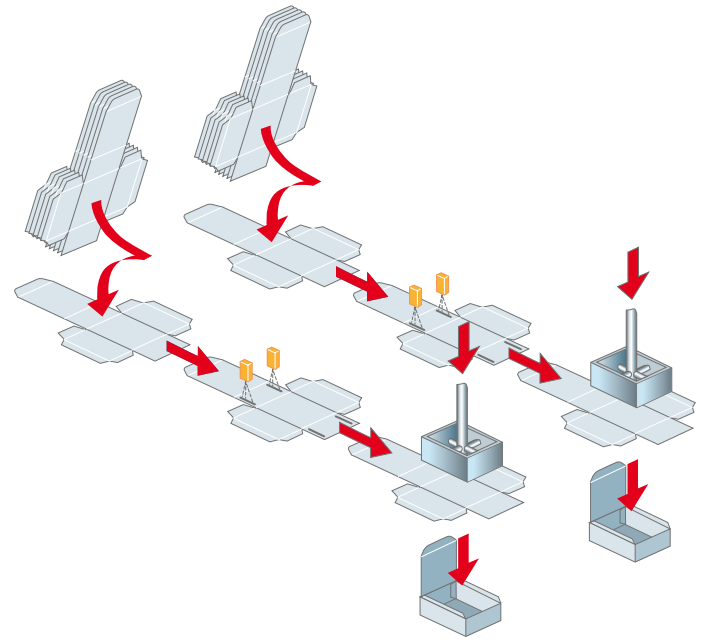
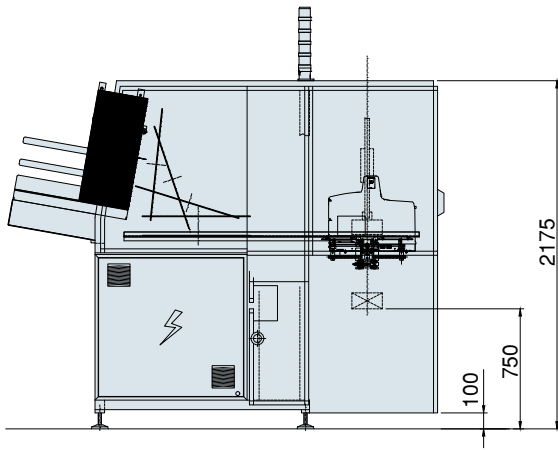
The **C404** is a dual-head tray forming machine. It uses flat blanks and can erect trays or boxes with a lid.

Two trays are formed every machine cycle to increase the production rate.

The machine is effortless to operate and maintain, with fast changeover mainly based on adjustments and forming tools replacement.

It can work as a stand-alone unit or connected to automatic loading and closing machine to obtain a complete line.

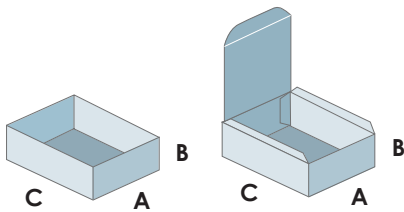




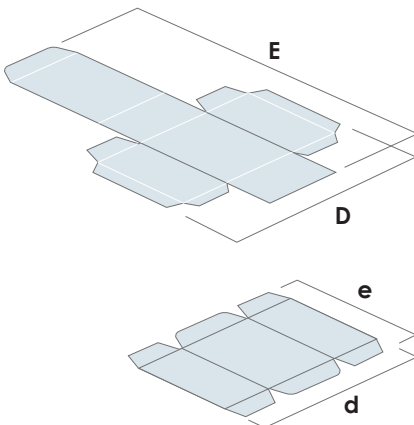
**The machine can arrange:**

- Extended, high-capacity flat-blank magazine;
- Stainless steel frame;
- Ink-jet, laser or embossing coding unit;
- Remote connectivity.

## Technical Data



A (mm)	B (mm)	C (mm)
60 ÷ 600	20 ÷ 180	40 ÷ 300



D (mm)	E (mm)
100 ÷ 720	150 ÷ 750

d (mm)	e (mm)
100 ÷ 720	80 ÷ 750

	<b>C404</b>
<b>Mechanical output</b>	90 box/min
<b>Power supply</b>	230÷400V - 50Hz
<b>Installed power</b>	5 kW
<b>Max. air consumption</b>	250 NI/min
<b>Changeover time</b>	20-30 min
<b>Approx. weight</b>	1,800 kg