

C50

Stretch-banding Machine



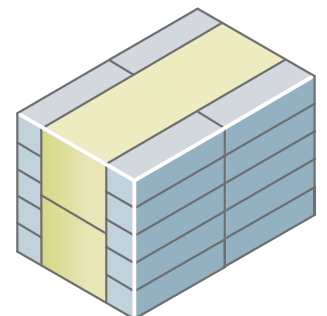
cariba
beyond packaging



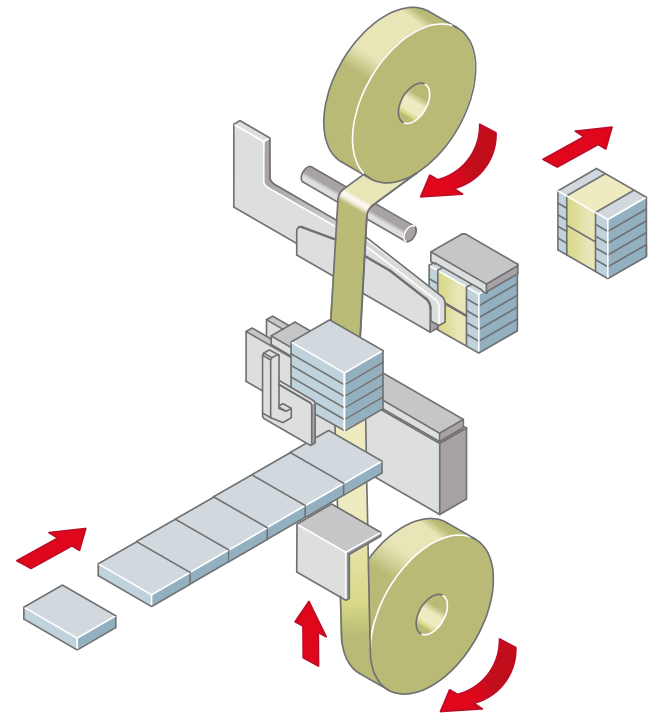
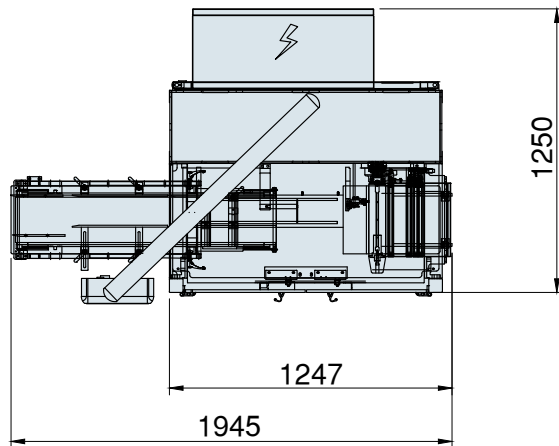
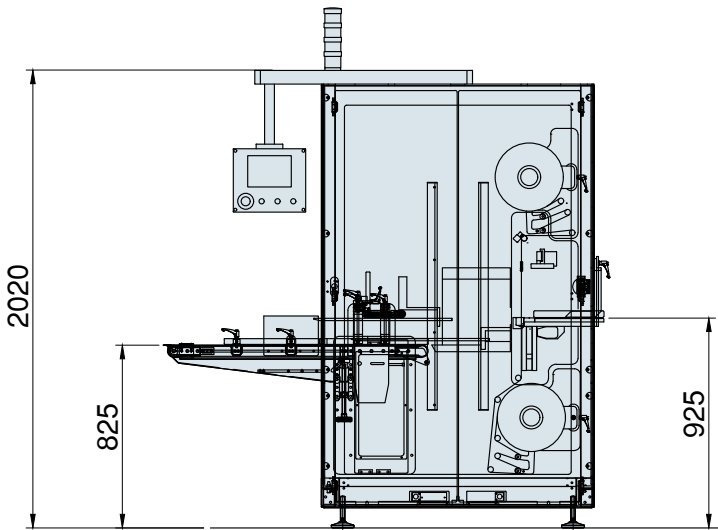
The **C50** is a compact, entirely servo motor driven, inline stretch-banding machine suitable for automatic banding or shrink-wrapping of carton bundles.

It features a balcony-style design and separation between electrical and mechanical sections.

Positive driven upper and lower film roll unwinding, fast-cooling sealing capability, self-cleaning hot sealing bar and adjustable stretch tensioning allow smooth operation and materials handling.



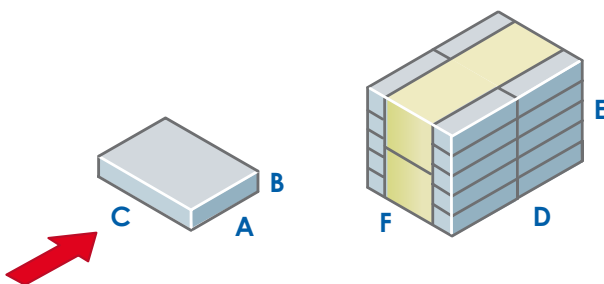
More than just packaging solutions



The machine can arrange:

- Casters for portability;
- Carton rotation unit (90° or 180°) at in-feed;
- Heating tunnels for shrink-wrapped presentation;
- Servo motor driven stacking units;
- Remote connectivity.

Technical Data



	A (mm)	B (mm)	C (mm)	D (mm)	E (mm)	F (mm)
C50	25 ÷ 350	15 ÷ 100	55 ÷ 200	50 ÷ 350	30 ÷ 200	55 ÷ 200

	C50
Mechanical output	40 cycle/min
Power supply	230÷400V - 50Hz
Installed power	4 kW
Max. air consumption	200 NI/min
Changeover time	15 min
Approx. weight	1,100 kg