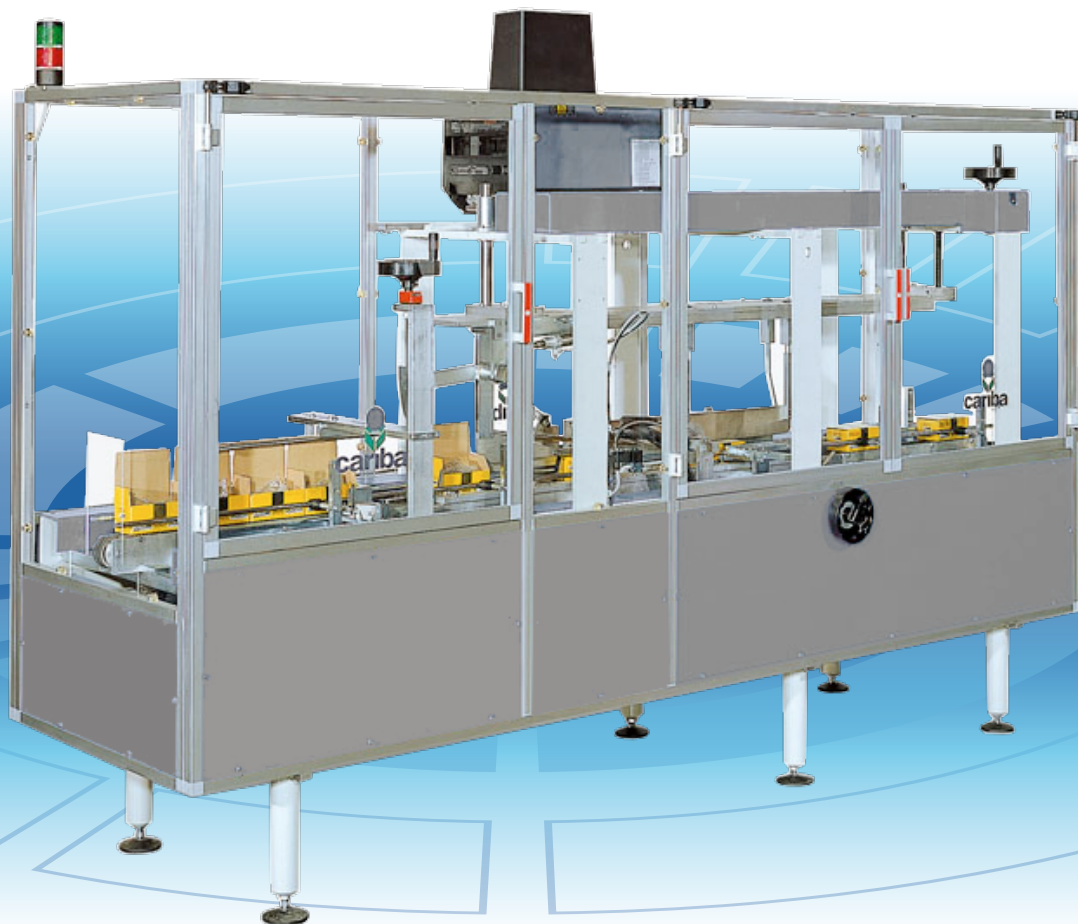


# RCV50

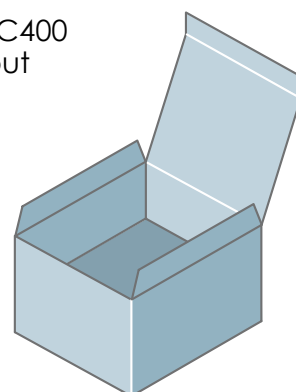
Closing machine

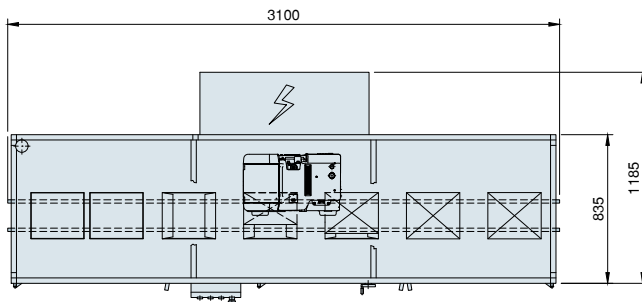
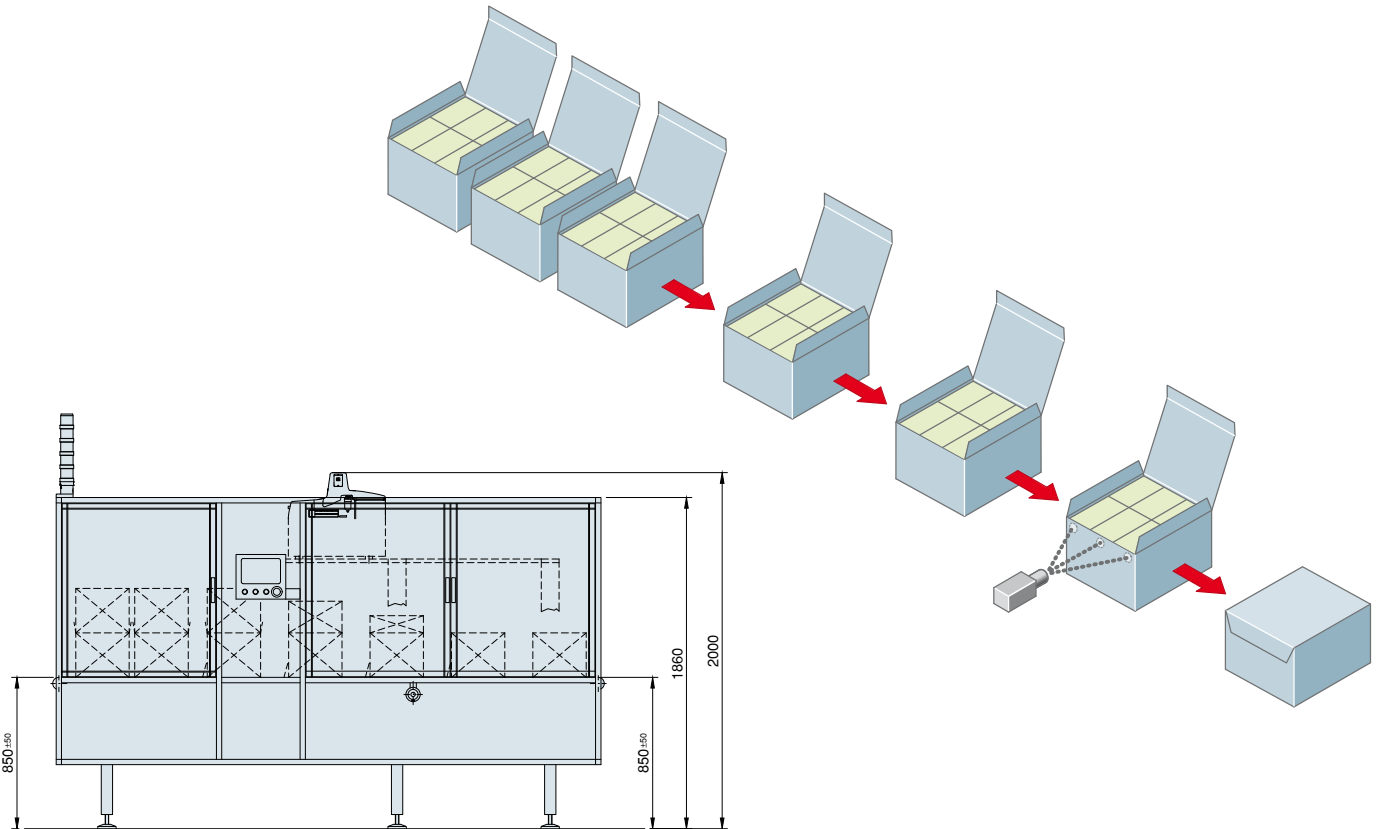


The **RCV50** is an automatic tray closing machine. Closure, made with hot melt, can only be on the main flap or all three flaps.

It is straightforward to operate and maintain, with fast changeover mainly based on adjustments and size tools replacement.

The machine can fit our C400 tray former, with or without automatic product loading.

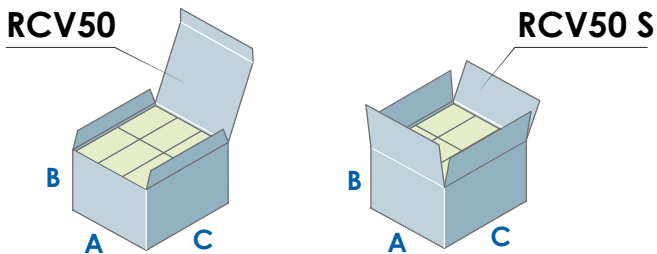




**The machine can arrange:**

- Pre-folded leaflet dispensers or folding units (GUK);
- Booklet feeders;
- Bar-code readers;
- Inkjet or laser coding units;
- Serialization-ready external modules with coding, verification and reject;
- Remote connectivity.

## Technical Data



	A (mm)	B (mm)	C (mm)
<b>RCV50</b>	50 ÷ 350	50 ÷ 300	50 ÷ 300
<b>RCV50 S *</b>	50 ÷ 700	50 ÷ 350	50 ÷ 350

\* Special version

	<b>RCV50 / RCV50 S</b>
<b>Mechanical output</b>	80 box/min
<b>Power supply</b>	230÷400V - 50Hz
<b>Installed power</b>	4 kW
<b>Max. air consumption</b>	200 NI/min
<b>Changeover time</b>	5 min
<b>Approx. weight</b>	650 kg