

# C221

## Horizontal Cartoning Machine

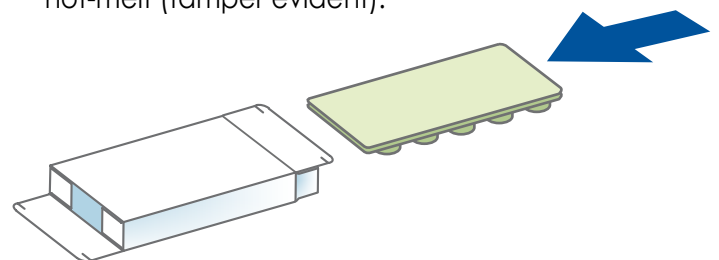


The **C221** is a side-load, intermittent motion cartoning machine designed for pharmaceutical, nutraceutical and cosmetic market.

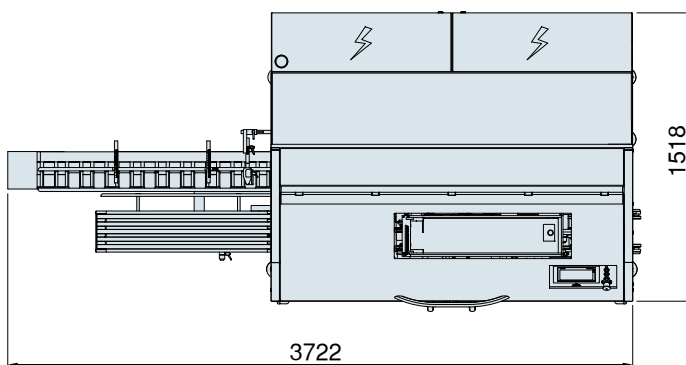
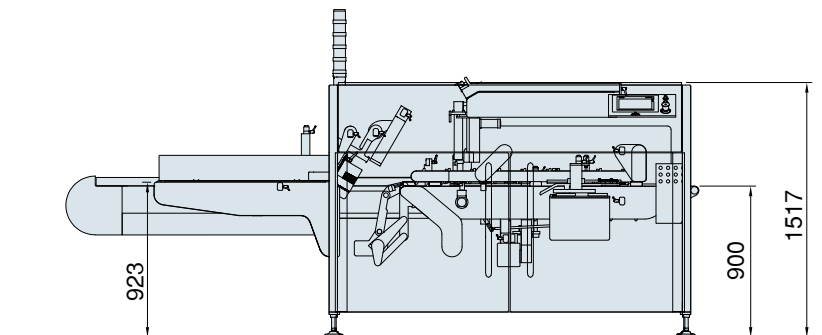
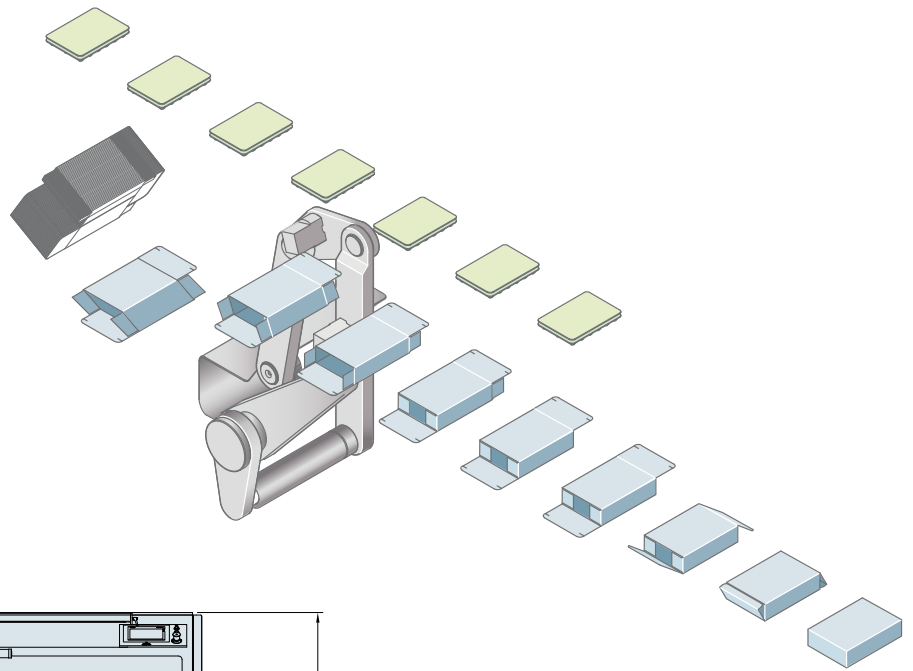
A balcony-style design ensures easy cleaning and maintenance and separation between electrical and mechanical sections.

It features a lowered carton magazine, full servo assisted motions, positive carton pick-up/forming, controlled adjustable transportation and coated guides to eliminate marking on components.

Available flap closures for tuck-in, hot-melt and/or combination of tuck-in and hot-melt (tamper evident).



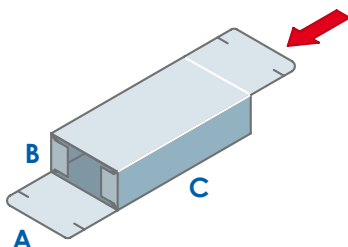
More than just packaging solutions



**The machine can arrange:**

- Extended carton magazines
- Mechanical and robotic feeding systems for blister packs, round/shaped glass or plastic bottles, jars, soft tubes, flow-pack, sachets, stick-packs, others;
- Pre-folded leaflets and booklet dispensers;
- Leaflet folding units (GUK);
- Barcode reading systems;
- Ink/emboss coding units, inkjet, thermal transfer or laser printers;
- Serialization-ready external modules;
- Remote connectivity.

## Technical Data



	A (mm)	B (mm)	C (mm)
<b>C221</b>	15 ÷ 120	15 ÷ 90	60 ÷ 210

	<b>C221</b>
<b>Mechanical output</b>	120 carton/min
<b>Power supply</b>	230÷400V - 50Hz
<b>Installed power</b>	
Hot melt closure	8 kW
Tuck-in closure	3 kW
<b>Max. air consumption</b>	200 NI/min
<b>Changeover time</b>	15 min
<b>Approx. weight</b>	1,450 kg