

C402

Forming Machine

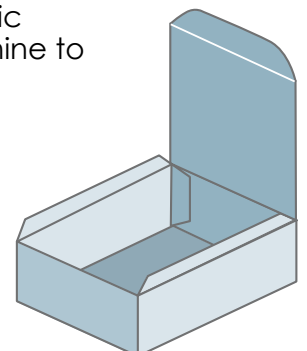

cariba
beyond packaging



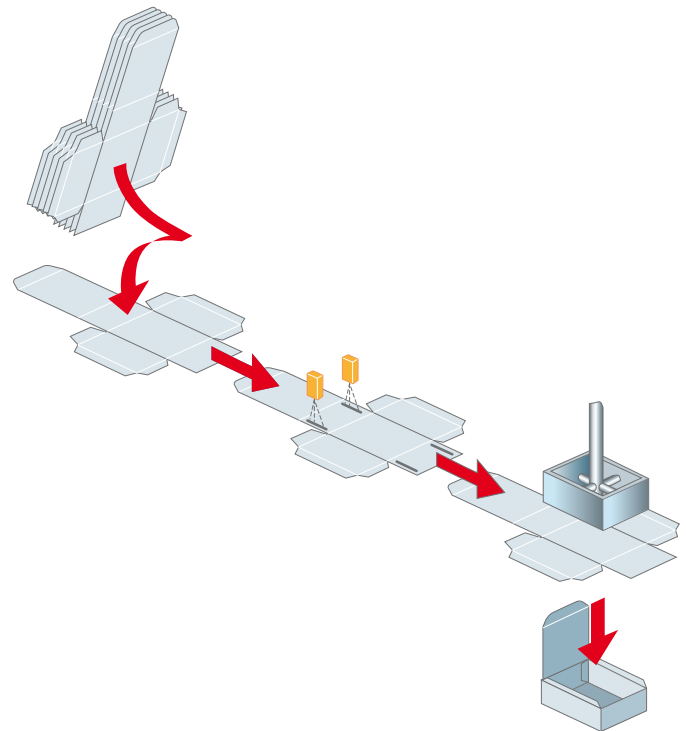
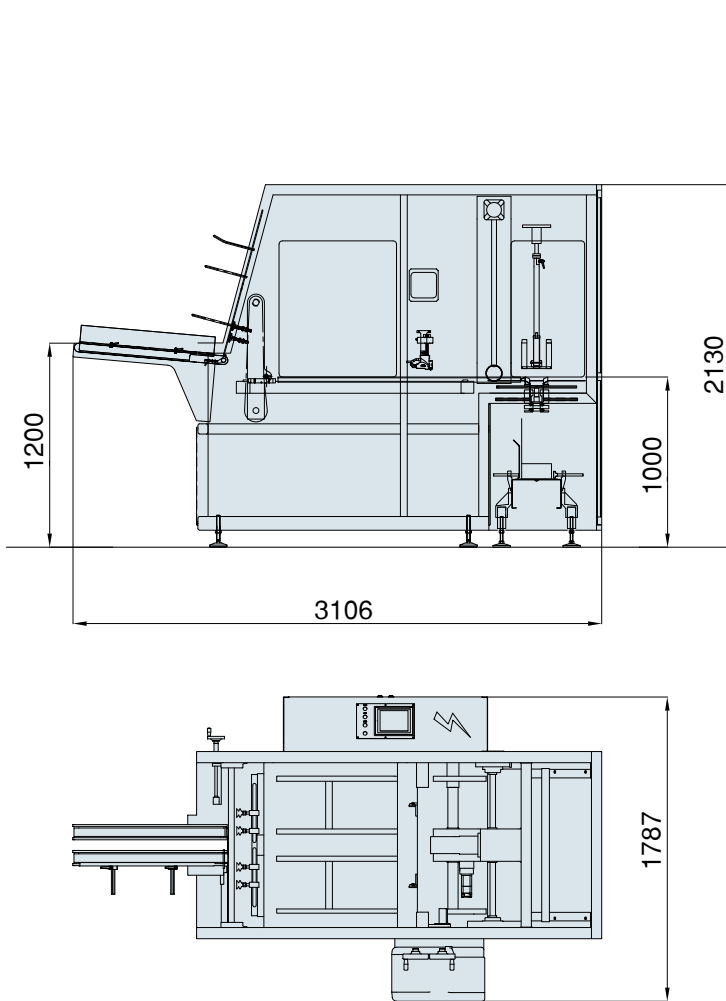
The **C402** is a tray forming machine. It uses flat blanks and can erect trays or boxes with a lid.

It features servo driven movements, accessibility for easy cleaning and maintenance, fast changeover mainly based on adjustments and forming tools replacement.

It can work as a stand-alone unit or connected to automatic loading and closing machine to obtain a complete line.



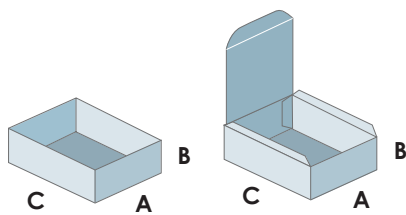
More than just packaging solutions



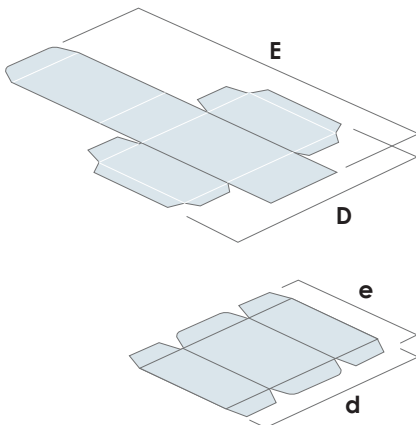
The machine can arrange:

- Extended, high-capacity flat-blank magazine;
- Stainless steel frame;
- Ink-jet, laser or embossing coding unit;
- Remote connectivity.

Technical Data



A (mm)	B (mm)	C (mm)
60 ÷ 600	20 ÷ 180	40 ÷ 300



D (mm)	E (mm)
100 ÷ 720	150 ÷ 750

d (mm)	e (mm)
100 ÷ 720	80 ÷ 750

Mechanical output
Power supply
Installed power
Max. air consumption
Changeover time
Approx. weight

C402	
Mechanical output	50 box/min
Power supply	230÷400V - 50Hz
Installed power	6 kW
Max. air consumption	250 NI/min
Changeover time	20/30 min
Approx. weight	1,000 kg