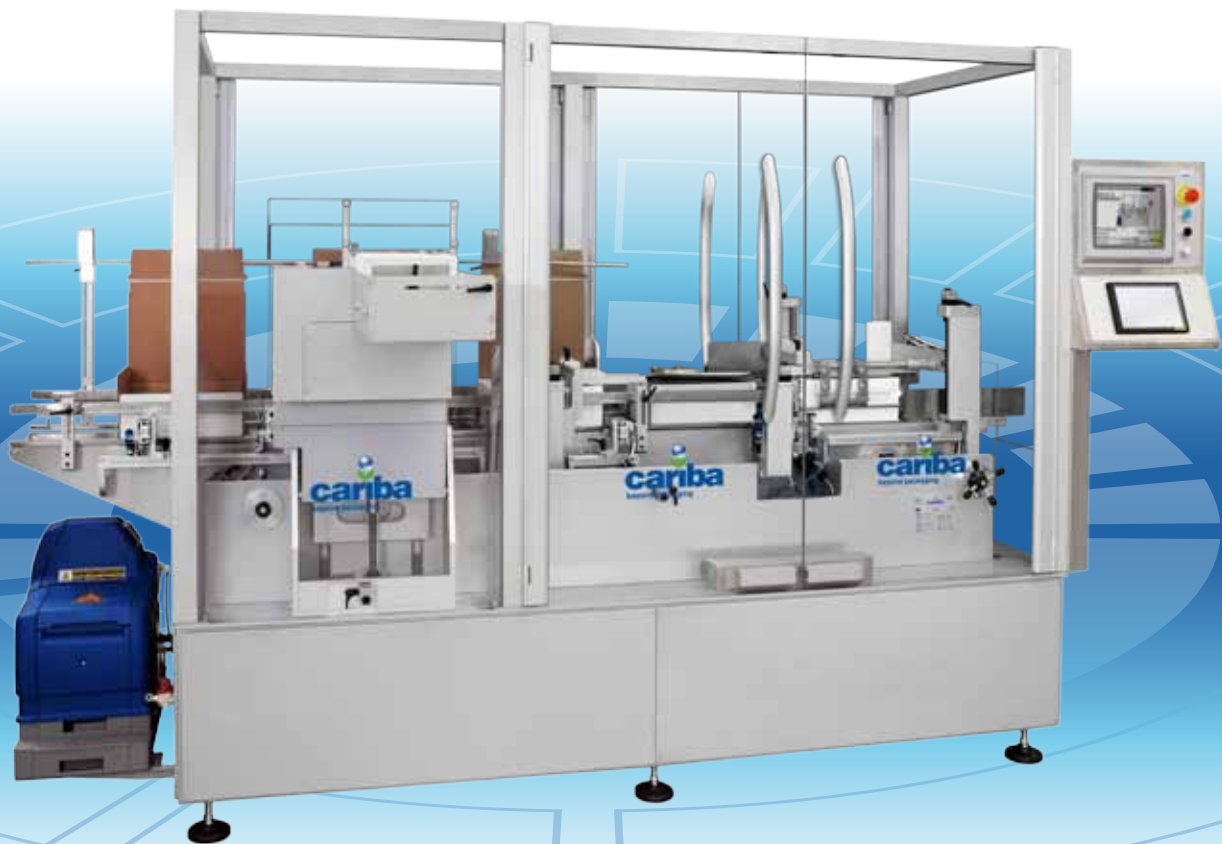


C600

Closing machine

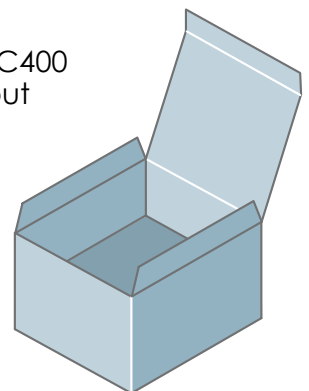


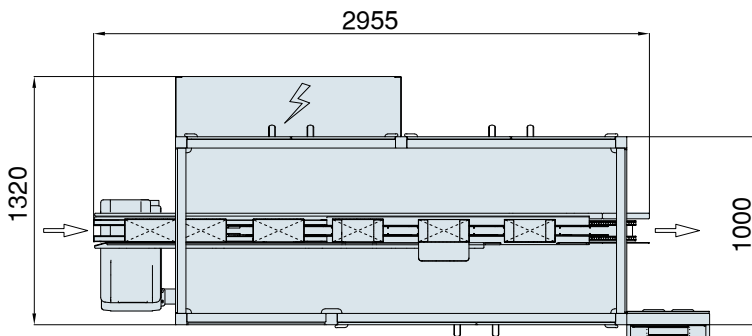
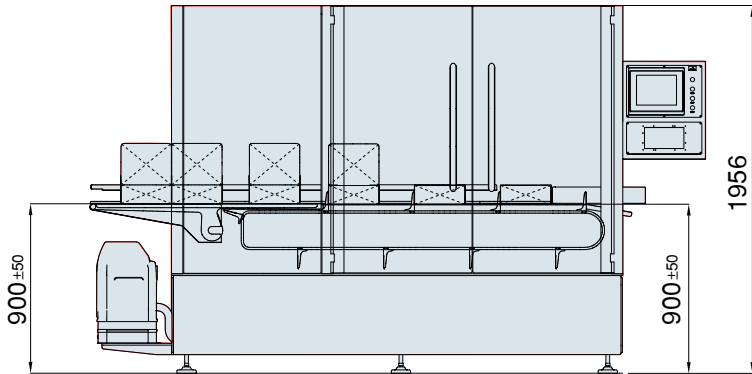
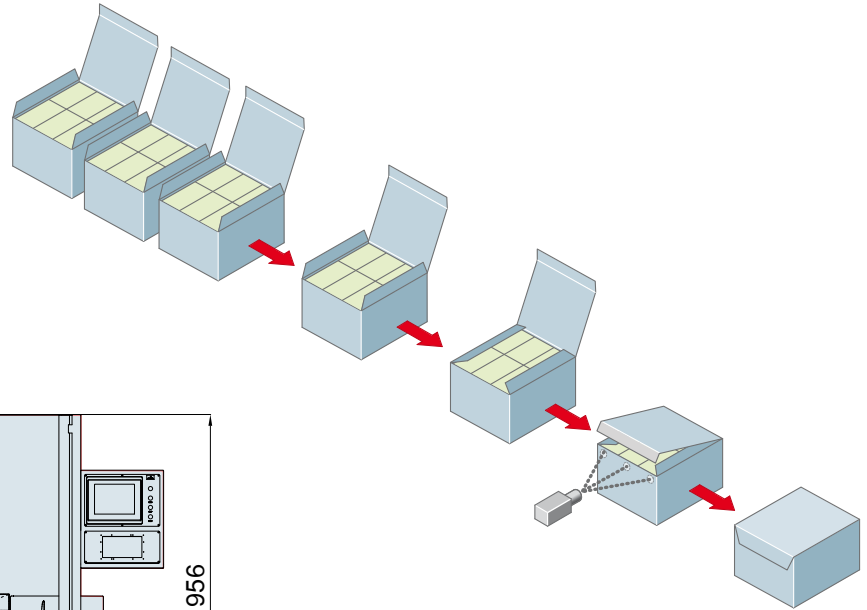
The **C600** is an automatic tray closing machine.

Closure, made with hot melt, can only be on the main flap or all three flaps.

It is straightforward to operate and maintain, with fast changeover mainly based on adjustments and size tools replacement.

The machine can fit our C400 tray former, with or without automatic product loading.

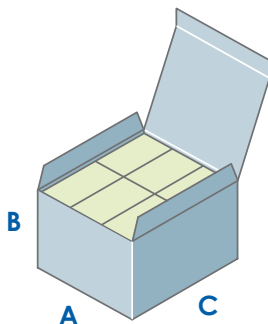




The machine can arrange:

- Pre-folded leaflet dispensers or folding units (GUK);
- Booklet feeders;
- Bar-code readers;
- Inkjet or laser coding units;
- Serialization-ready external modules with coding, verification and reject;
- Remote connectivity.

Technical Data



	A (mm)	B (mm)	C (mm)
C600	50 ÷ 350	50 ÷ 300	50 ÷ 300

	C600
Mechanical output	30 box/min
Power supply	230÷400V - 50Hz
Installed power	6 kW
Max. air consumption	400 NI/min
Changeover time	5 min
Approx. weight	650 kg